

Independent Doors 4200 Series Wardrobe

Independent Doors has provided this declaration to satisfy the provisions of Schedule 1(d) of the building (Building Product Information Requirements) Regulations 2022.

In accordance with Regulation 8, as the responsible person I confirm that the information supplied in this declaration is based on information supplied to Independent Doors as well as the company's own processes and is therefore to the best of my knowledge, correct. I can also confirm the 4200 Series Wardrobe, as referred to in this statement, is not subject to a warning or ban under s26 of the Building Act.

Designated building product: Class 2

TECHNICAL STATEMENT:

The 4200 Series Wardrobe represents a space-efficient, bottom-rolling wardrobe and internal door system that offers versatile configurations with options for 2,3 or 4 doors.

The design of the 4200 Series allows for seamless integration into various room aesthetics. Traditional infill materials such as MDF board, melamine, or [safety glass](#) is used to harmonize with the room décor, enhancing its visual appeal.

Crafted with a keen eye for quality, the door frames and tracks feature an elegant aluminium finish. Customisation options available, including our Pearl White & Silver Frost. For those seeking a more personalised touch, a range of powder-coat colours can be tailored to your preferences. (POA).

The 4200 Series Wardrobe is the epitome of versatility and design, making it an ideal choice for those who seek both functional storage solutions and a refined aesthetic that complements their living spaces.



PRODUCT DESCRIPTION:

- **Frame:** The aluminium frame on a 4200 Series Wardrobe panel serves as a structural support and reinforcement, enhancing the overall stability and durability of the wardrobe. It helps maintain the panel's integrity and alignment, ensuring that the wardrobe doors slide smoothly and consistently. The aluminium frame may provide an aesthetically pleasing border, adding a modern and polished look to the wardrobe design.
- **Tracks and wheels:** The tracks and wheels enable effortless sliding of the wardrobe doors, allowing easy access to your belongings. The system enhances the stability and alignment of the doors, preventing wobbling or misalignment during use. The combination of tracks, wheels and guides ensures precise control of door movement.
- **Door:** The 4200 Series door is crafted from a selection of materials, including MDF, safety mirror, and melamine, offering a diverse range of options to suit your design preference and functional needs.
- **Jamb:** The jamb is finished in a MDF or Pine Grooved or Architrave jamb – generally to suite a 90mm stud and 10mm or 13mm gib. Custom jamb are available.



Company Contact Details

Physical Address: 57 Waterloo Rd,
Hornby, 8042

Postal Address: P.O. Box 13086
Hornby

Telephone: 03 384 1113

Fax: 03 384 2277

Email: info@iddoors.co.nz

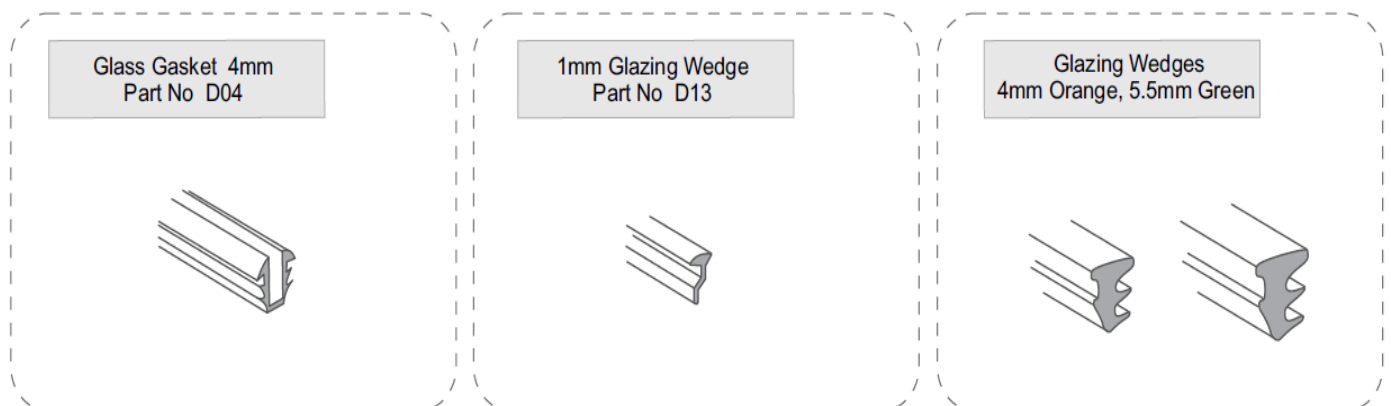
Website: www.iddoors.co.nz

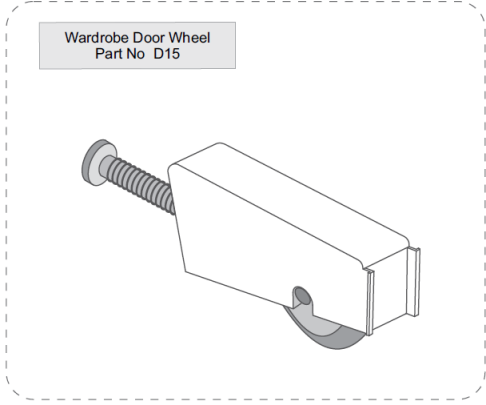
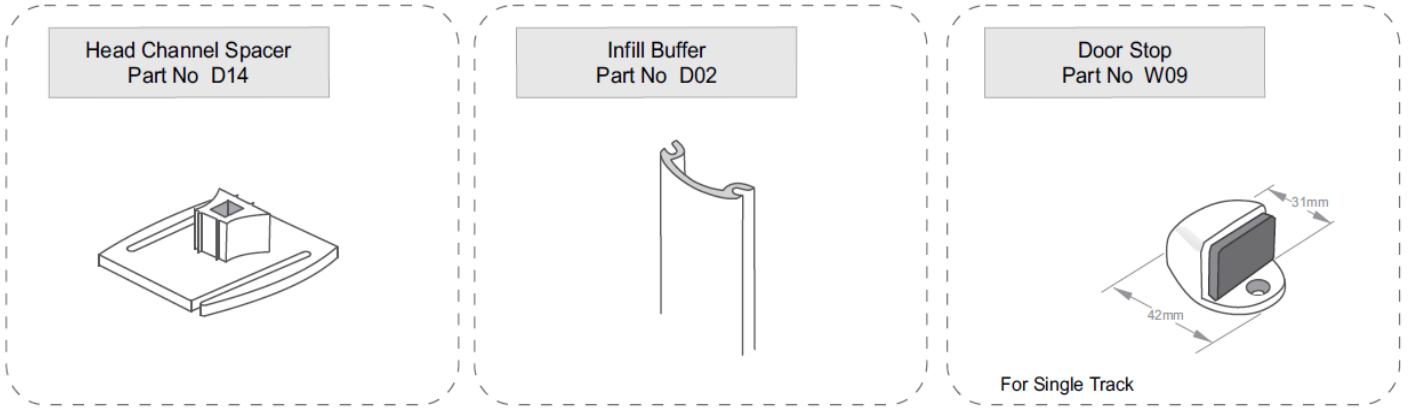
The principal constituents comprising of the 4200 Series Wardrobe assembly:

The 4200 Series wardrobe offers personalised storage solution. Crafted with precision, these wardrobes can be tailored to your exact specifications, ensuring a perfect fit for your unique needs.

- **Height:**
 - The door panels max overall height (4215 stile) 2400mm, (4212 Heavy Duty Stile) 2700mm, max overall width 1200mm
- **Versatile Panel Option:**
 - Choose from a selection of premium panel materials, including flush MDF up to 10mm in thickness for a seamless and modern look, grooved MDF for a touch of texture, [Safety mirror](#) for added functionality and elegance, and melamine for durability and a variety of finish options.
- **Top Track Install:**
 - Normally Reveal mounted. Single track may be face mounted.
- **Bottom Track:**
 - Installed direct to floor on a packer if there is carpet and you want to bring the track in line with the carpet. Alternatively, the track can be fitted on top of vinyl or hard flooring.
- **Aluminium Extrusions:**
 - A range of standard and custom power-coat and anodised finishes are [available](#).
- **Compact Tracking system:**
 - Single, Double or Triple tracks. (Triple track fits within a 90mm Jamb
 - Experience effortless access to your belongings with our smooth-sliding door system. No more awkward or clunky doors; our design ensures ease of use, while adjustable wheels are discreetly positioned at the bottom of the doors for seamless operation.

Juralco 4200 Wardrobe and Door Systems - Components





JAMB TYPES:

Cavity Jamb's offer a range of design options to suit various architectural and functional preferences. Two primary choices include grooved jamb's, architrave jamb's.

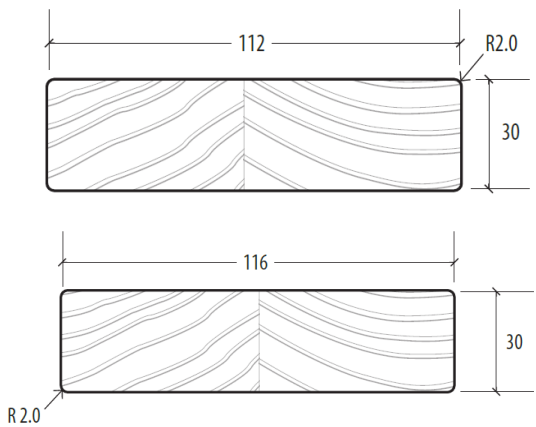
The standards for grooved jamb's are 90mm stud and 10mm gib. The standards for architrave jamb's is 112mm or 116mm.

Custom jamb's are available on request.

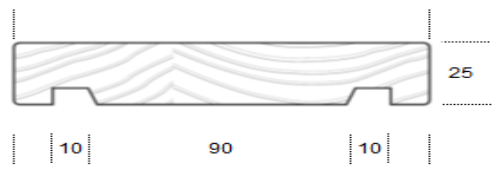
[Product Technical Statement](#)

[Environmental Product Declaration](#)

Architrave



Grooved



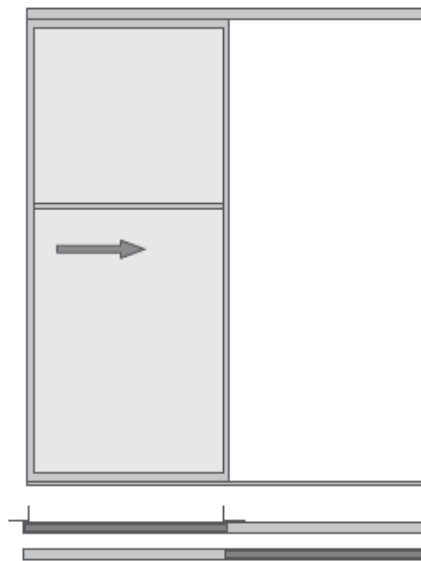
DOOR STYLES:

Options are available in flush panels, or any groove from the [classic V-Groove range](#) – this can work well if you have V-Grooved Prehung doors.

CONFIGURATION OPTION:

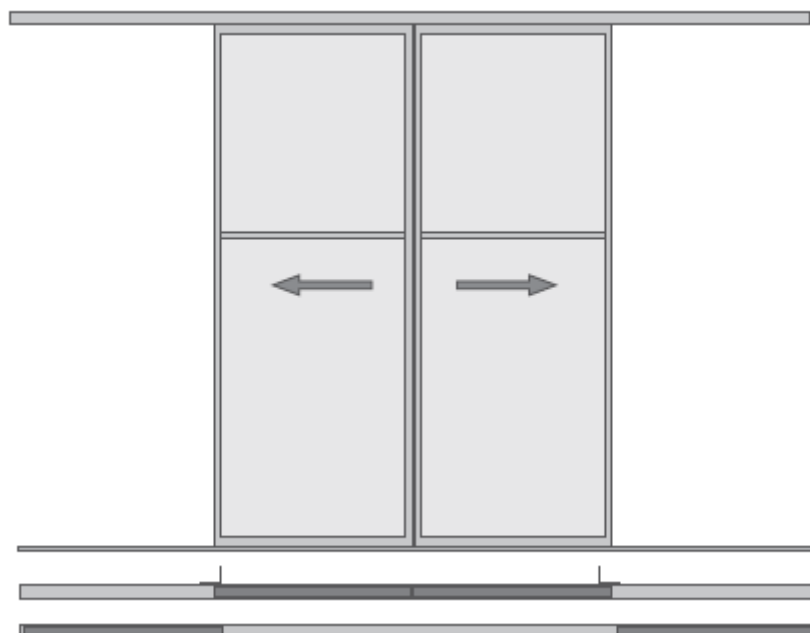
ONE PANEL ON A SINGLE TRACK (FACE MOUNT)

For openings up to about 1100mm wide – gives 100% max opening.



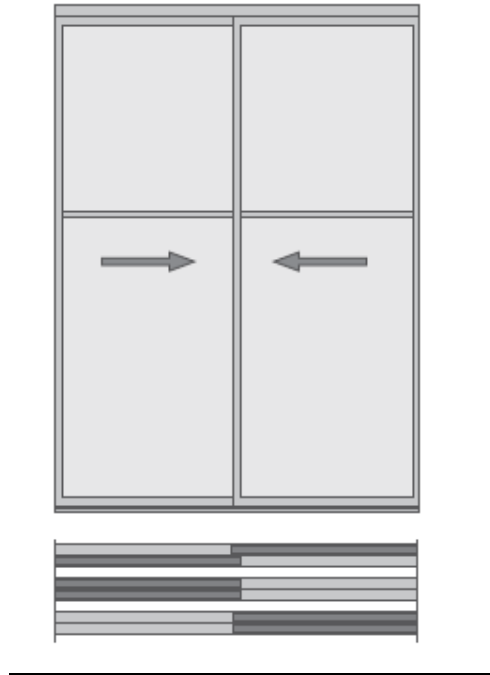
TWO PANELS ON A SINGLE TRACK (FACE MOUNT)

For openings up to about 2300mm wide – gives 100% max opening.



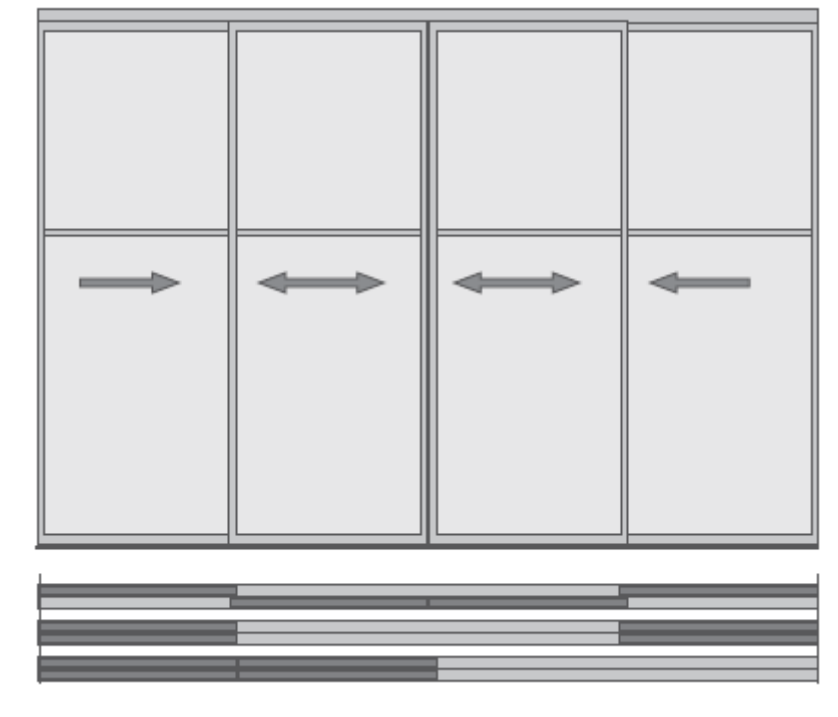
TWO PANELS ON A DOUBLE TRACK (BETWEEN JAMB MOUNT)

For openings up to about 2300mm wide – gives 50% max opening.



FOUR PANELS ON A DOUBLE TRACK (BETWEEN JAMB MOUNT)

For openings up to about 4700mm wide – gives 50% max opening.



FOUR PANELS ON A DOUBLE TRACK (BETWEEN JAMB MOUNT)

For openings up to about 4700mm wide – gives 50% max opening.

THREE PANELS ON A TRIPLE TRACK (BETWEEN JAMB MOUNT)

For openings up to about 3500mm wide – gives 60% max opening.



CONTRIBUTIONS TO COMPLIANCE:

- Conforms to [NZS4223.3.2016](#) regulations. The vinyl-backed safety mirror must have a minimum thickness of 4mm with a 2 maximum fully framed area of 2.0m. If the wardrobe system is used as a partition between rooms annealed glass can be used with a 2 minimum thickness of 5mm and a maximum area of 0.5m per pane.
- All doors conform to and are to be installed as per [NZAUS3604](#) regulations.

ENVIRONMENTAL:

Independent Doors is 100% New Zealand owned and all products are 100% New Zealand made. Independent Doors operates a zero-waste policy with all metal offcuts and waste recycled. Timber components are made from pine from sustainable resources.